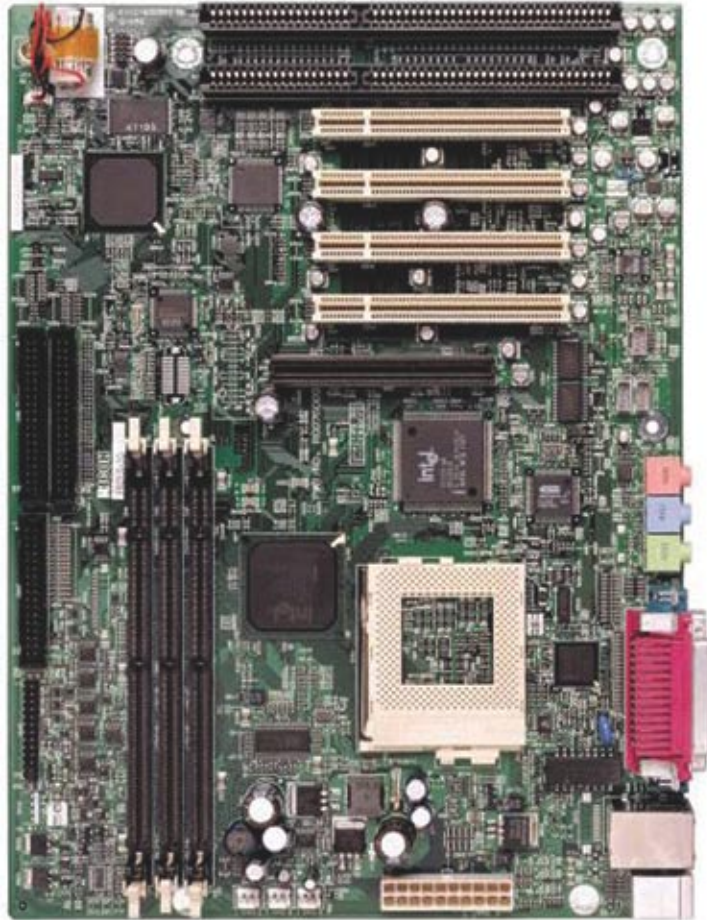


FB2 *ATX Motherboard for Embedded Application*



- ATX type motherboard with Intel® 440BX chipset.
- Built-in ECC function ensures consistent data processing.
- ISA compatible for existing applications.
- FB2-VT provides touch screen capability as well as video connection.
- Multi-purpose and versatile.

Need quality, reliability and availability?

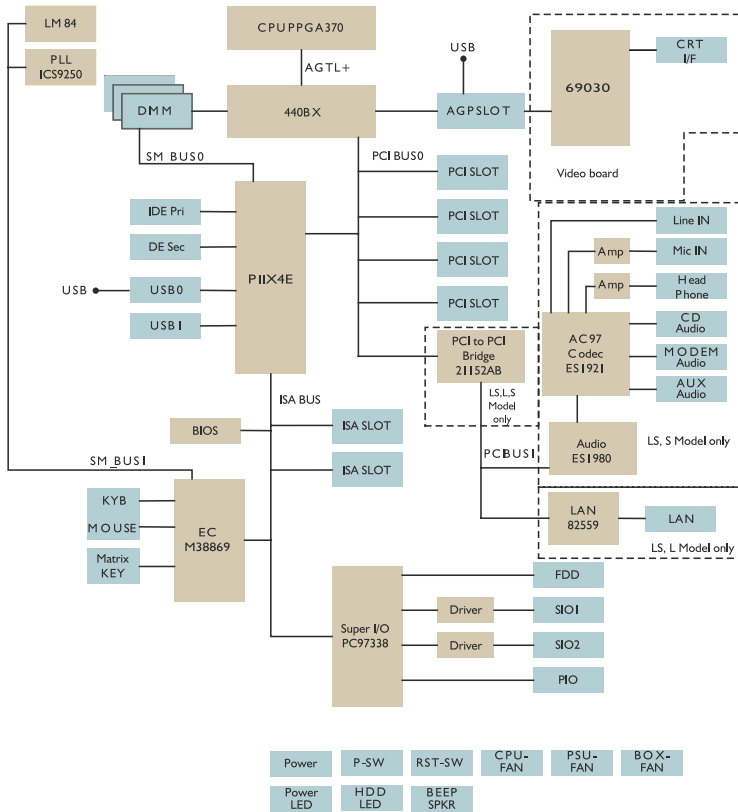
With the popular Intel 440BX chipset on-board, the FB2 is designed for consistent data processing. The ATX motherboard can also be configured to provide touch screen capability and video if needed. Plus the FB2 comes with full technical support and small lot manufacturing capabilities.

Ricoh Electronics, Inc.

New Business Production Office
One Ricoh Square ■ 1100 Valencia Ave.
Tustin, CA 92780-6428
Tel: (714) 566-2500 ■ Fax: (714)566-2659
Email: Support_mb@rei.ricoh.com

FB2

ATX Motherboard for Embedded Application



- CPU Socket 370
Pentium® III
Celeron®
- Memory 168pin DIMM×3
ECC
- Chip Set Intel® 440BX
- Sound Onboard: Windows® Sound System
interchangeability
(depending on model selection)
- LAN 100 BASE-T/100 BASE-TX
Wake on LAN
(depending on model selection)
- OS Windows® 98, NT, 2000

Internal Interface

- PCI Slot 4 ch
As for 1 ch ISA/PCI combined use
- AGP Slot 1 ch
- ISA Slot 2 ch
As for 1 ch ISA/PCI combined use
- FDD I/F 1 ch
- IDE I/F 2 ch

External Interface

- USB I/F 2 ch
- Serial I/F 2 ch
- Parallel I/F 1 ch
- Keyboard
Mouse I/F Each 1 ch
- Dimension 12" x 8-7/8"
(305mm x 225mm)

Please call this number for your inquiry or order:

Available Models

FB2-LS	With LAN and sound
FB2-L	LAN without sound
FB2-0	Without LAN nor sound
FB2-S	With sound not LAN
FB2-LST	With LAN and sound and display interface
FB2-LT	With LAN and display interface
FB2-V	FB2 proprietary video board (AGP compatible)
FB2-VT	FB2 proprietary Video board (AGP compatible), with touch screen panel ready feature

*Celeron™ Pentium III is a registered trademark of U.S. Intel Corporation. *The official name of Windows is Microsoft Windows Operating System. *Microsoft Windows and Windows 98, 2000, NT, and XP are registered trademarks or trademarks of U. S. Microsoft Corporation in the USA or other countries. *Other company and product names in here are registered trademarks of each company. Product names and specifications are subject to change without notice.